

Genuine Accessories



Vehicle Model: **EV6**

Model Year 2022-
 Part No. CVF46 ACA00
 Language English
 Rev. Date 10/8/2021

Accessory: **Mudguards, Front**

Difficulty: **(B)**

Note: Difficulty stated above reflects the minimum level of expertise required to install the accessory:
 (A) Customer
 (B) Dealer Technician
 (C) Master Technician or Specialist

Application Notes

Does Not Apply to GT or GT-Line Models

Instructional Symbols / Definitions



Denotes warnings that may lead to serious physical injury or vehicle damage



Denotes quality processes to be checked prior to moving to the next step

Denotes personal protective equipment (PPEs) that may be required for a step. Examples of safety equipment icons noted below:



Denotes cautions to be taken to avoid physical injury or electronic component damage



Denotes specific tools that are necessary to complete a step



Glasses



Gloves



Denotes cautions to be taken to avoid vehicle and component damage

**N
O
T
E**

Denotes important information to be reviewed during the step

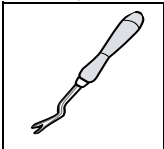


Mask

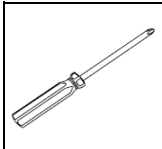


Hearing Protection

Basic Required Tools



Clip Removal Tool

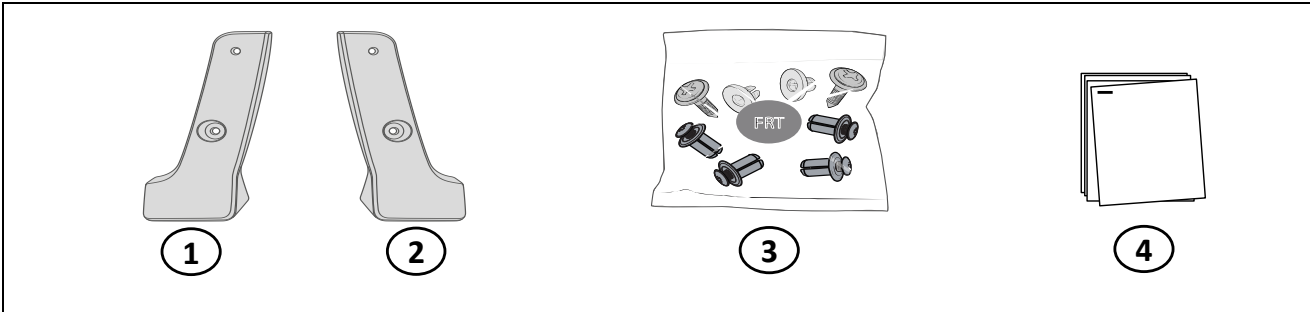


#2 Phillips Screwdriver

Notes to the installer:

- 1) Read the entire Installation Instructions prior to beginning the installation of the part.
- 2) Make sure the vehicle is completely clean and dry in the area(s) the part is to be installed.
- 3) Ensure the vehicle is properly protected in the area(s) that the accessory is to be installed.
- 4) NEVER place tools on painted surfaces, seating surfaces, dash pad, console or floor carpet/mats.
- 5) Always wear appropriate personal protective equipment, including gloves, safety glasses, etc., when required.

Kit Overview


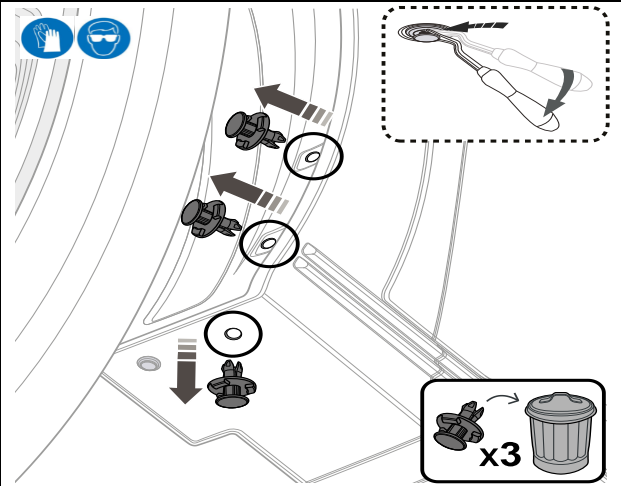



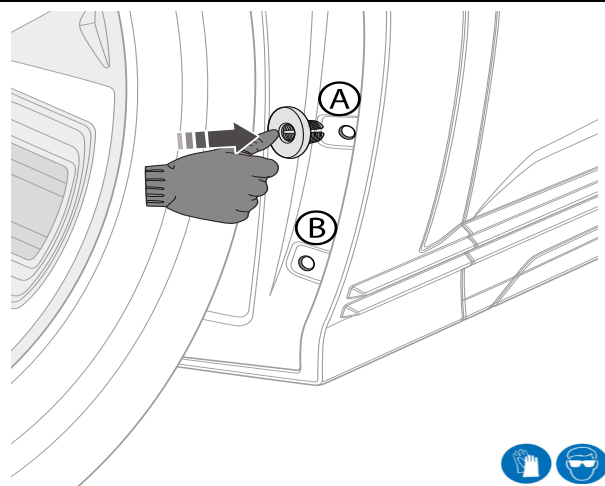
No.	Qty	Description	No.	Qty	Description
1	1	Front Mudguard LH	3	1	Hardware Bag
2	1	Front Mudguard RH	4	1	Installation Instructions


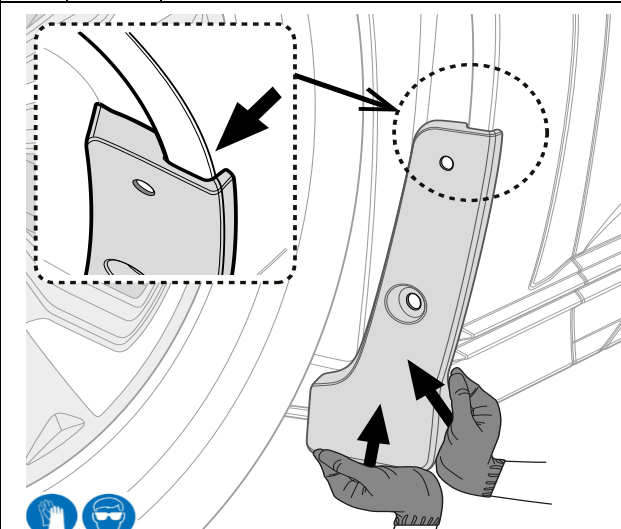

Hardware Kit Contents


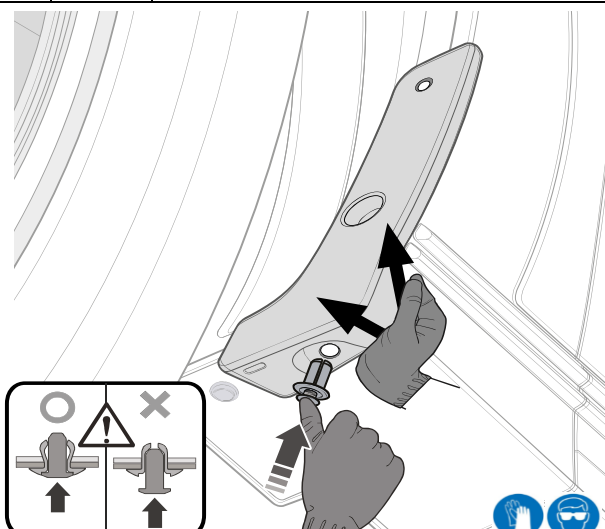

A		B		C	
4	Plastic Retainer	2	Locking Retainer	2	M6x25 Screw

Hardware Kit Total
8

1	 Clip Removal Tool
	
N O T E	<p>NOTE: Fully turn the steering wheel to the left when installing the driver's side front mudguard (LH) and fully turn the steering wheel to the right when installing the passenger's side front mudguard (RH).</p> <p>A. Starting on the driver's side (LH) front wheel well area, remove the three (3) plastic retainers as shown.</p> <p>B. Discard the hardware.</p>

2	
	
N O T E	<p>A. Insert one (1) provided locking retainer into the upper hole "A" as shown.</p>

3	
	
N O T E	<p>A. Align the driver's side front mudguard (LH) as shown ensuring a proper fit.</p>
	<p>Make sure to push the mudguard upward and inward during the installation to eliminate any possible gaps.</p>

4	
	
N O T E	<p>A. While pushing the mudguard upward and inward as shown, insert one (1) provided plastic retainer into the bottom hole as shown. Make sure to push in the center portion of the plastic retainer to lock the retainer in place.</p>
	<p>Make sure to push the mudguard upward and inward during the installation to eliminate any possible gaps.</p>

5	#2 Phillips Screwdriver
N O T E	<p>A. While pushing the mudguard upward and inward as shown, insert one (1) provided M6x25 screw into the upper hole "A" as shown.</p> <p>B. Insert one (1) provided plastic retainer into the lower hole "B" as shown. Make sure to push in the center portion of the plastic retainers to lock the retainers in place.</p> <p>C. Repeat steps 1-5 for passenger's side front mudguard (RH).</p>
	<p>Check for any visible gaps. If any gaps exceed 0.5mm, loosen the hardware and refit the mudguard(s) to the body to decrease or eliminate the gaps. Do not over-torque the screw.</p>

Visual Check

	Item to be Checked
	Make sure to push the Front Mudguards upward and inward during the installation to eliminate any possible gaps.
	Check for any visible gaps. If any gaps exceed 0.5mm, loosen the mounting screws and refit the mudguard(s) to the body to decrease or eliminate the gaps.

Result

Front Mudguards are properly aligned.	
Any visible gaps do not exceed 0.5mm.	